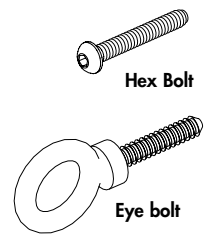
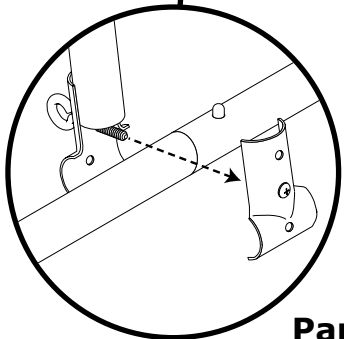
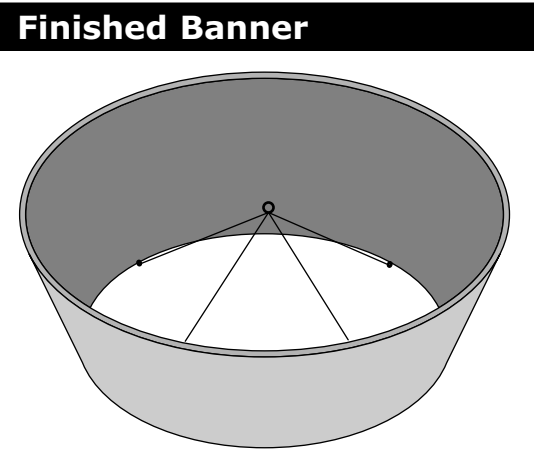
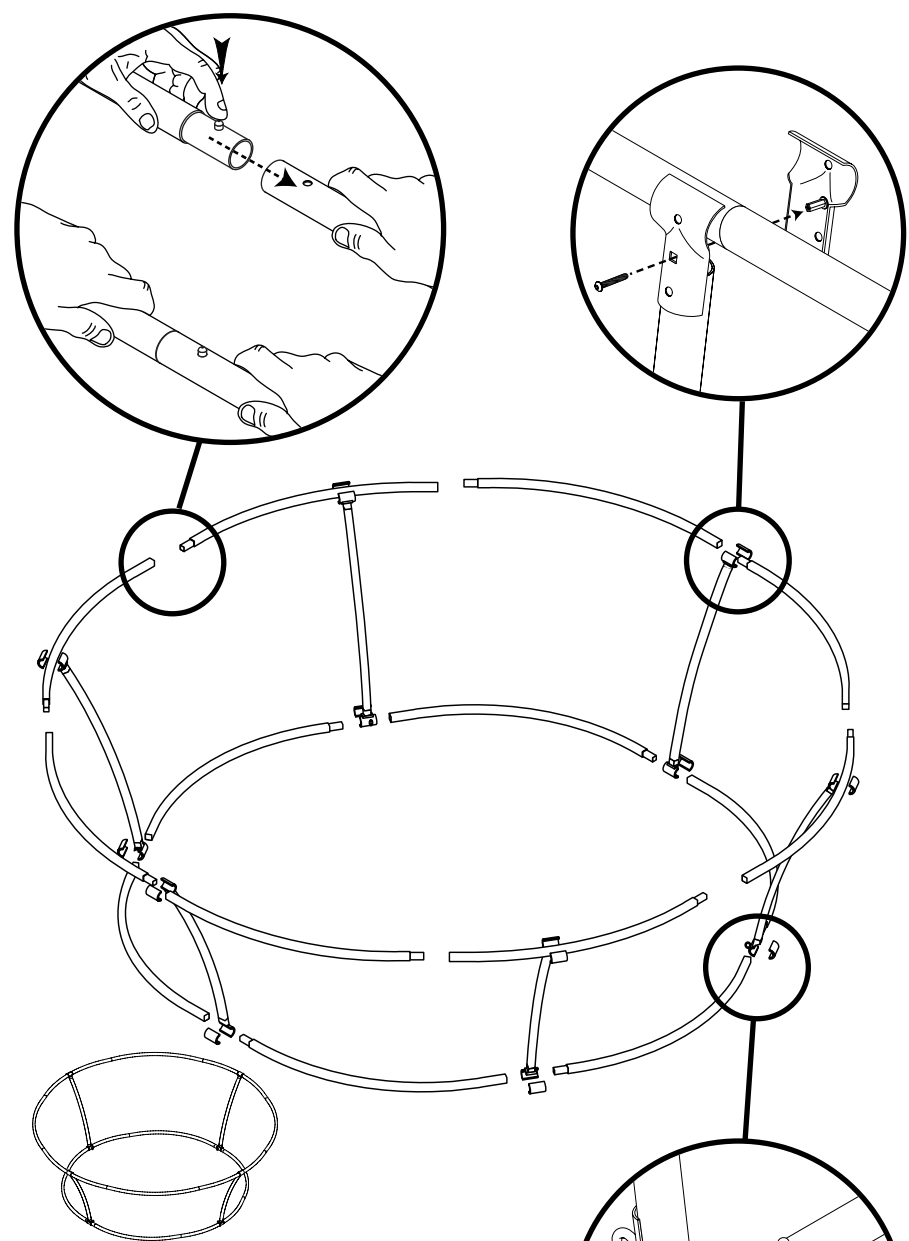
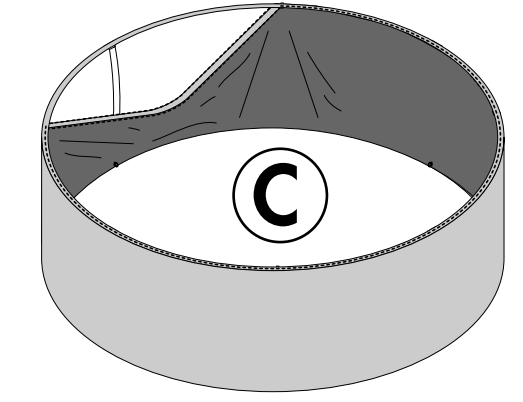
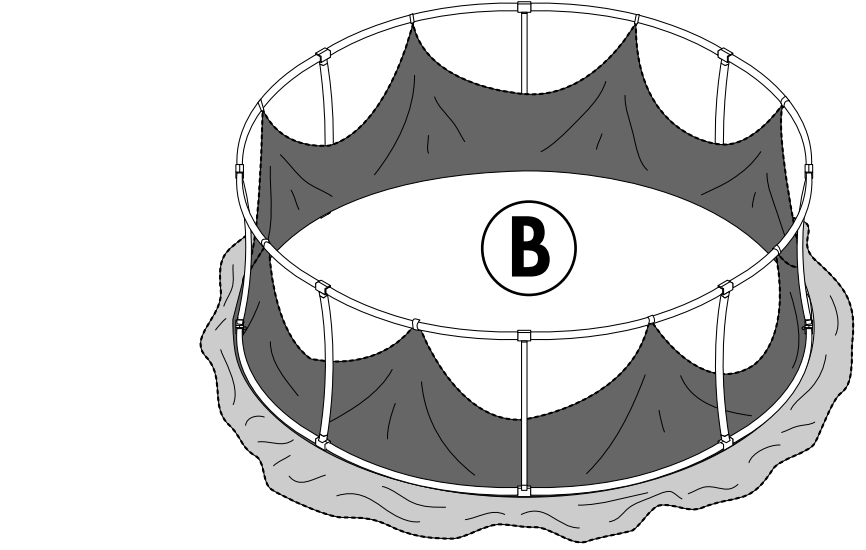
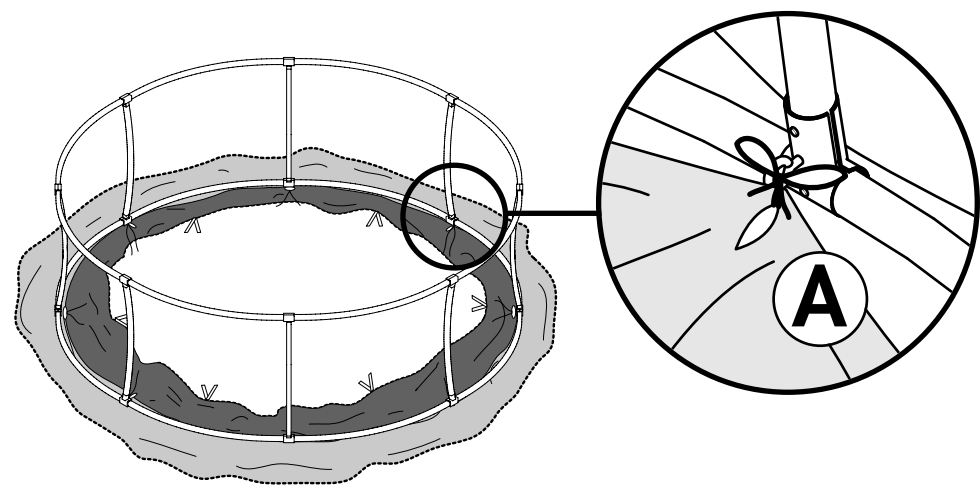


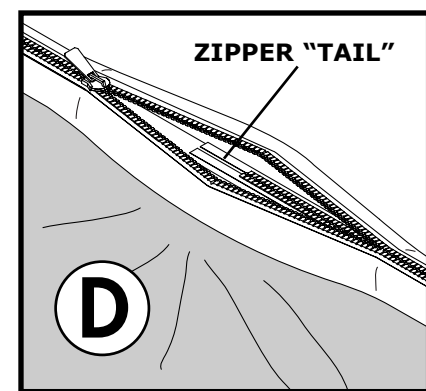
Skyline Tapered Ring Banner



- Part List:**
- 8 Curved 45° horizontal tubes (top)
 - 6 Curved 60° horizontal tubes (bottom)
 - 6 Curved vertical tubes
 - 1 Cable assembly
 - 1 Fabric banner
 - 1 Hex key tool



Note: 11' Ring Model shown as example.



Assembly Instructions

1. Connect eight 45° curved tubes together to create the top circle (connecting pins should be down).
2. Connect six 60° curved bottom tubes together to create the bottom circle (connecting pins should be up).
3. Six curved vertical tubes will attach to the bottom circle at the joint where two tubes meet. Three of the verticals will have eye bolts at the bottom and three will attach using the hex bolt. Alternate the verticals using eye bolts with the verticals with the hex bolts. This will allow the structure to balance when attached to the hanging cables.
Note: Eye bolts must face the inside of the structure for proper hanging.
4. Connect the top circle to the curved vertical tubes (already in place) using the supplied hex tool to secure the bolt of the clamp. Start at two opposite joints of the top assembly and then connect the rest of the verticals wherever they meet the top tubes.
5. Remove banner from storage bag. Spread the banner out on a clean area on the floor. Separate the inside and outside sections of the banner to expose the bottom seam. Lift the finished frame and place it on the banner aligning the bottom circle and the seam. Match the holes with the ties in the inside section of the banner with the eye bolts of the vertical connectors. Fit the eye bolt through the hole and loosely tie the strings to the eye bolt (**ILLUSTRATION A**). Pull the inside section up and attach the hook and loop tabs to the upper tubes to hold it in place while zipping (**ILLUSTRATION B**). Start the zipper at the "tail" and pull the outer section up while working the zipper around the frame. Unfasten the hook and loop tabs before zipping over them. Work to keep the zipper evenly aligned along the top of the tube (**ILLUSTRATION C**). To finish the zipper, tuck the "tail" of the zipper inside the banner before closing (**ILLUSTRATION D**).
Note: Banner is under tension – work carefully.
6. Attach the ends of the cable harness to the eye bolts in preparation for hanging.